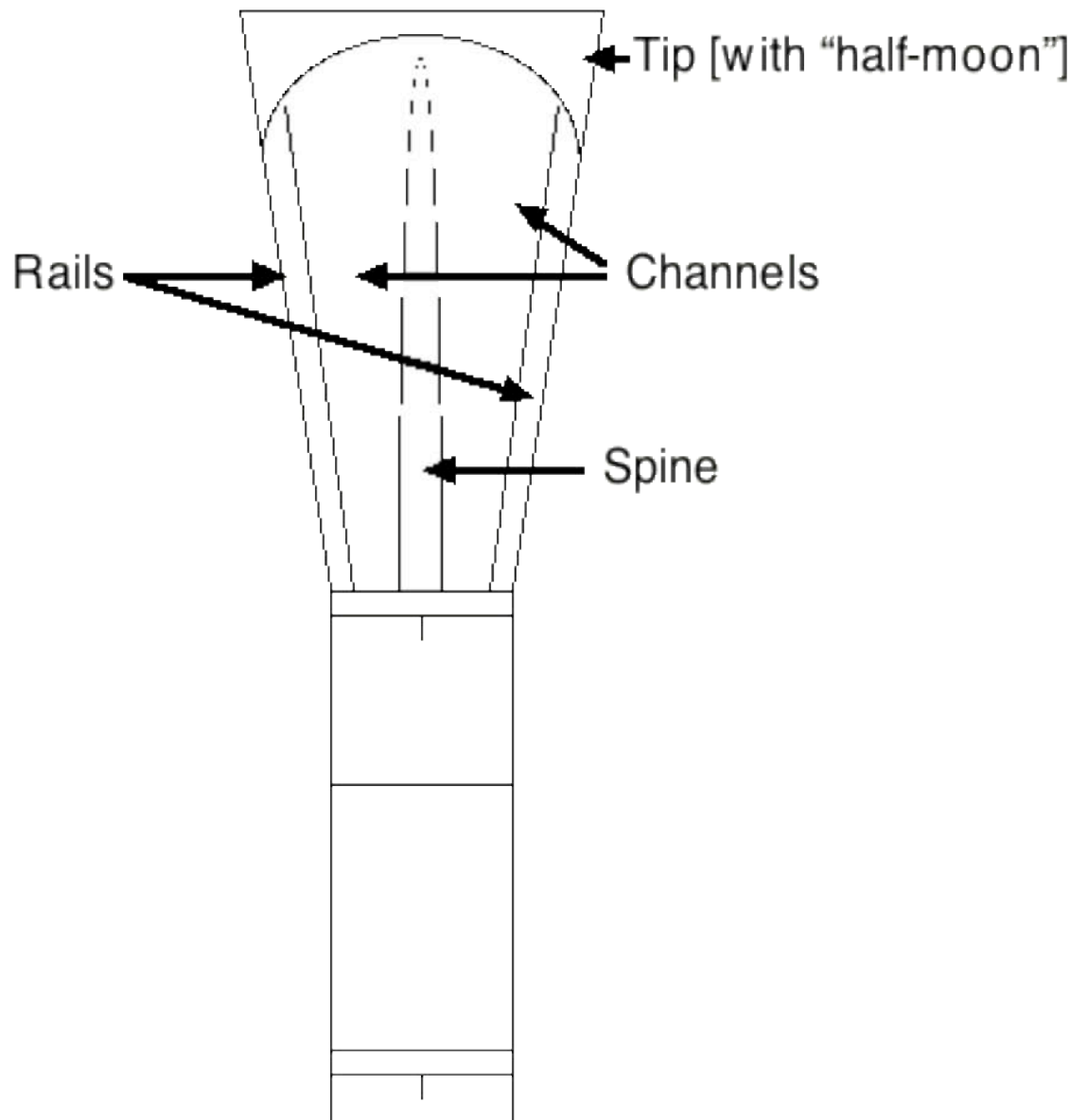


Regions of the Reed Blade



© Michael Burns, 2005